

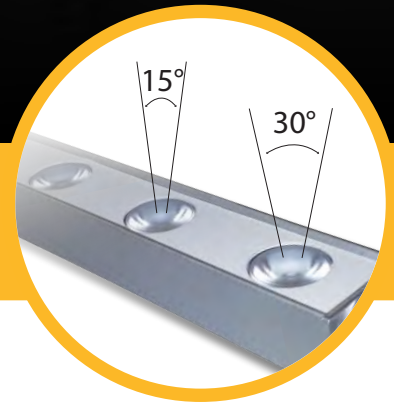
NEW & IMPROVED



Allanson

# Solar Saber

Powerful Linear Beam Lighting



## The smart combination of light and design.

Allanson's Solar Saber is designed to be the ideal solution for **off-grid lighting** applications. Thanks to two distinctive beam angles, the light is distributed uniformly, providing greater surface area coverage with farther light projection for optimal results. Its waterproof housing along with utilizing renewable energy from the sun, makes Allanson's Solar Saber an eco-friendly solution that will illuminate your sign from dusk to dawn – maximizing efficiency no matter the season.

### Benefits & Features:

- Off-grid solar technology
- Two distinctive beam angles
- Waterproof housing
- No hot spots (consistent lumination)
- No carbon or pollution generated



Uplighting



Roadside Billboards



Street Billboards

Allanson Solar Saber is sold individually & works in conjunction with the following components; Solar Panel, Inverter and Deep Cycle Batteries.

## Eco-friendly. Performance driven.



LM-79

LM-80



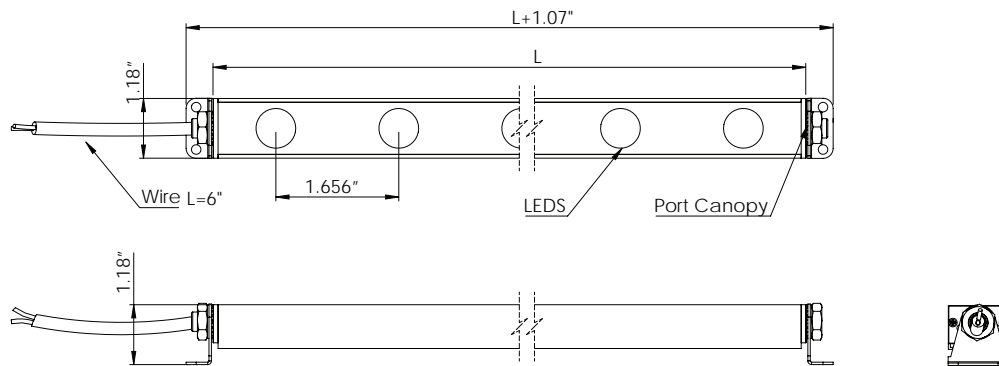
Learn more at [Allanson.com](http://Allanson.com)

# SOLAR SABER

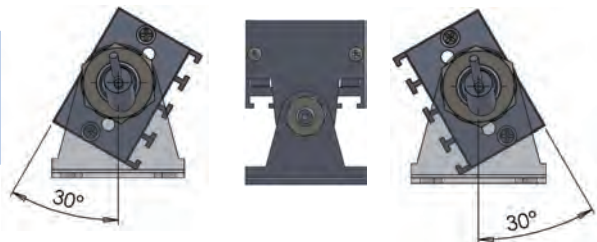
## APS2-68CW-3015

Input Voltage	24V
Wattage	8.64W
Lumens	1320
Temperature	6300K
Length	62"
Ingress Protection	Wet-dry-damp location

- Safe and efficient 24V LED Fixture
- IP 67 outdoor rated
- Wet location rated - exterior mounting capability
- Improved brightness (40% more than first generation)
- 15° & 30° beam angles with dimmable light output
- Operating temperature: -30°C to +50°C (-22°F to +122°F)
- Pre-assembled adjustable mounting hardware
- Excellent heat dissipation with extruded aluminum casing



*Rotation flexibility for multiple angle adjustments to fit custom applications.*



Not looking for a solar lighting solution? Check out Allanson's LED Saber2 products.



Learn more at [Allanson.com](http://Allanson.com)